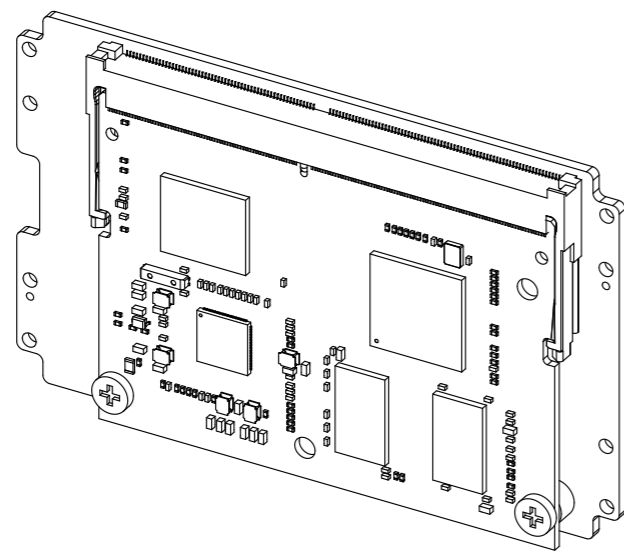
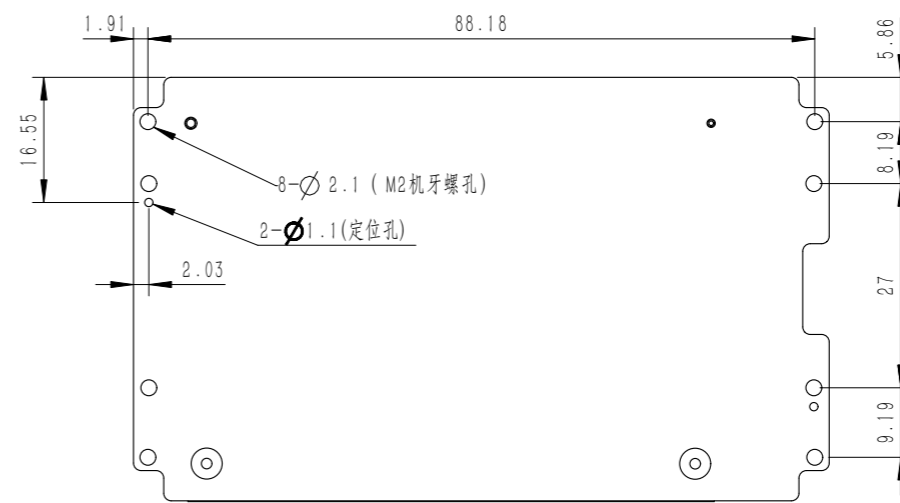
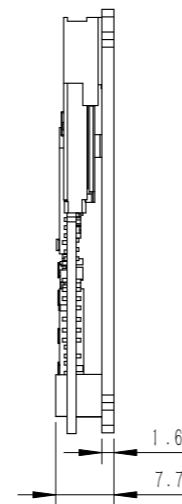
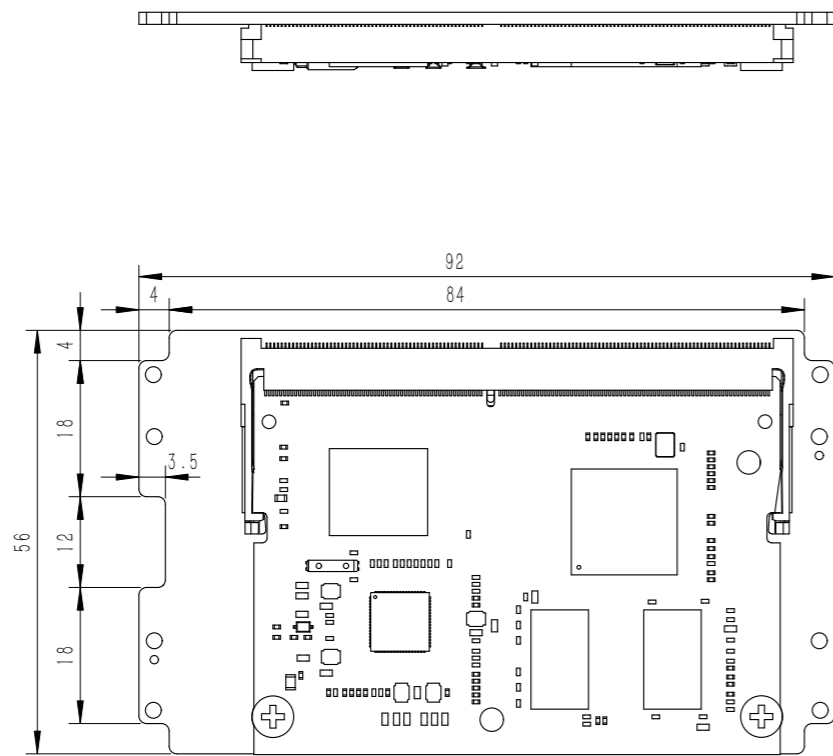


ROHS / REACH / HF			
版本	位置	变更说明	时间
01		New Release	2024.02



THIRD ANGLE PROJECTION				DES.BY	Hunter Du	
TOLERANCE UNLESS OTHERWISE STATED				CHK.BY	Hunter Du	
GRADE	✓	X	X	APP.BY	Evan Cheng	
	A	B	C	VER		
LENGTH	L ≤ 2	± 0.03	± 0.05	<div style="text-align: center; font-size: 2em; font-weight: bold;">Synexens Tech</div>		
	2 < L ≤ 10	± 0.05	± 0.10			
	10 < L ≤ 50	± 0.08	± 0.15			
	50 < L ≤ 100	± 0.10	± 0.20			
	100 < L ≤ 200	± 0.12	± 0.25			
	ANGLE	± 0.5°	± 1°			
			± 2°			

\*保密信息, 未经授权禁止复制\*

Part Name	XXXXXXXXXX		
Part description	CS20-P 主板		
Dwg.No	XXXXXXXXXX		
Material	XXXXXXXXXX		
Scale	X:1	Size	A3
Units	mm	Sheet: 1 of 1	